



Multi-turn operated  
chemical / slurry valves

# AV2 series

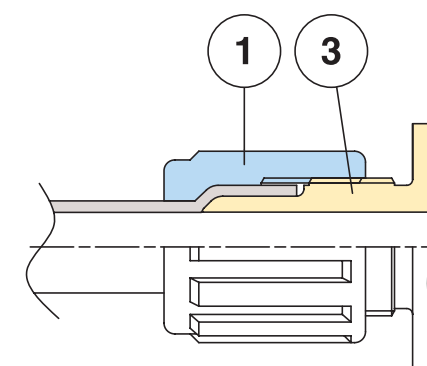
Pat. Pend.

Multi-turn valves that easily open and shut  
by manual turning of the handle.

## AV2 series Connection Type

Flare Type (fine-thread)

- ① Nut
- ③ Body



Multi-turn operated chemical / slurry valves

# AV2-3M6-4PF



### Ordering Information

## AV2-3M6-4PF

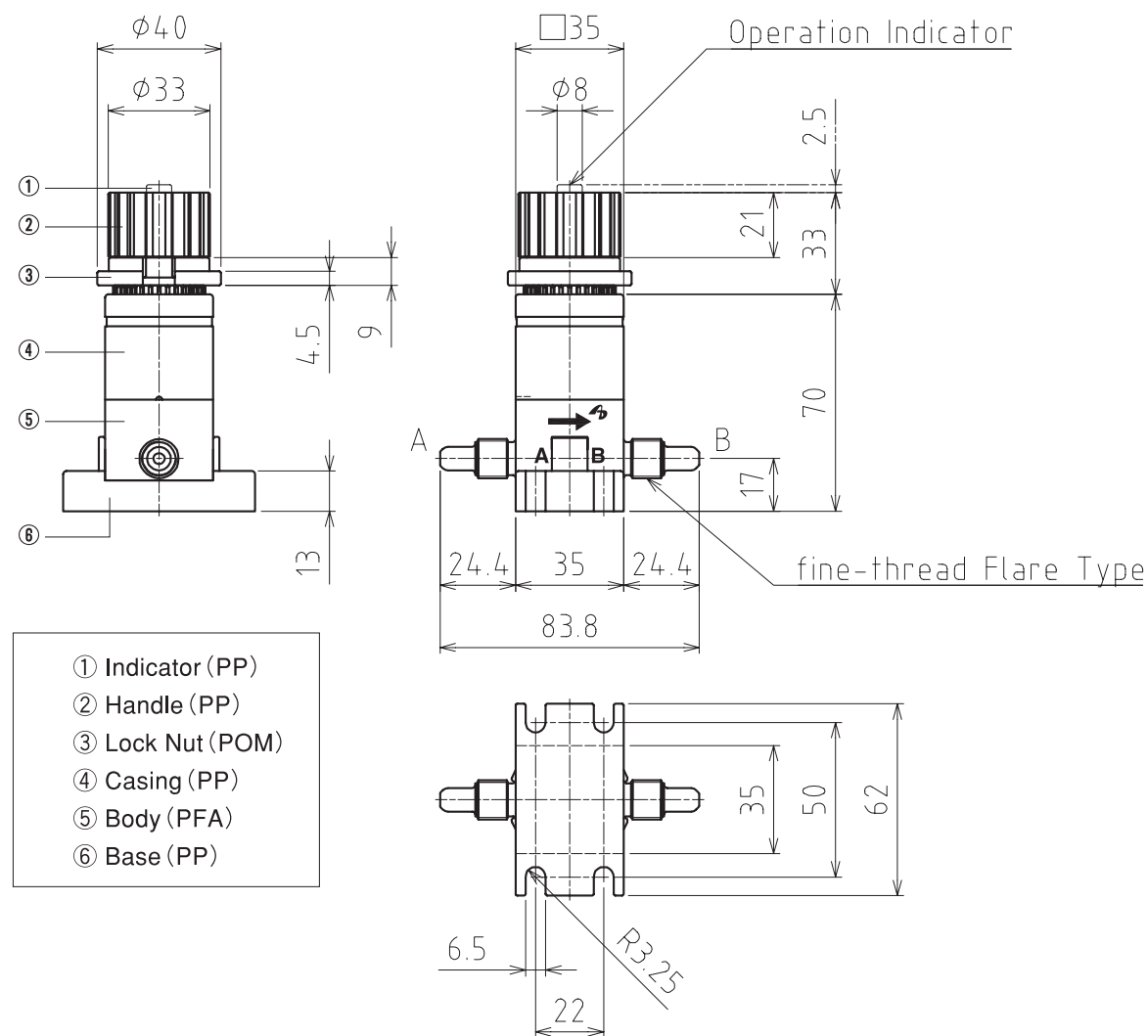
Connection Size Flare Fitting

### Specifications

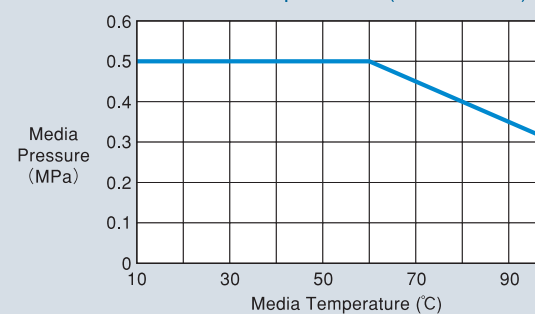
Model Code	AV2-3M6-4PF
Orifice	φ4
Connection Size	3.97×6.35
Media	Liquid Chemicals
Media Pressure	A→B : 0.5MPa (MAX)
	B→A : 0.5MPa (MAX)
Media Temperature	10~100°C
Ambient Temperature	10~60°C
Operational Mode	Multi-turn (manual)
Wetted Material	Diaphragm : PTFE
	Valve body : PFA
Note	Position Indicator

\*Specifications are subject to change without notice.

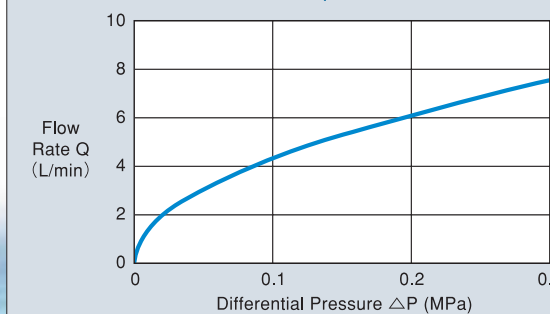
### Product Drawing



### Media Pressure / Temperature (A→B/B→A)



### Flow Rate / Pressure Drop - Cv: 0.3



Multi-turn operated chemical / slurry valves

# AV2-3M6-6PF



### Ordering Information

## AV2-3M6-6PF

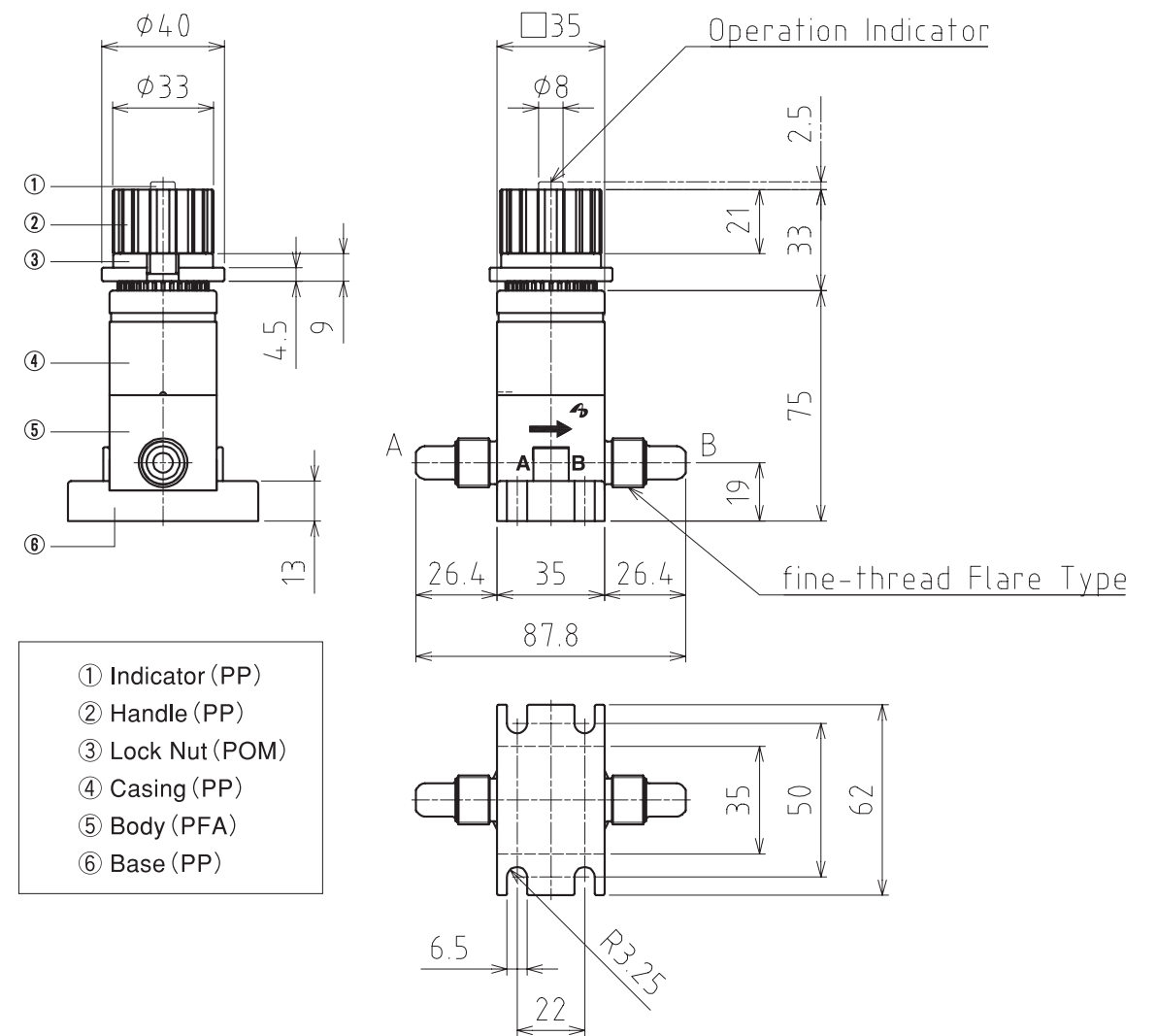
Connection Size Flare Fitting

### Specifications

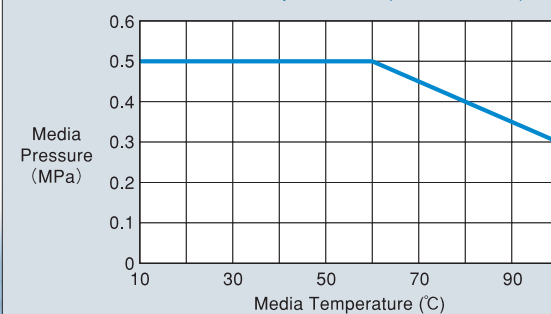
Model Code	AV2-3M6-6PF
Orifice	φ6.4
Connection Size	6.35×9.53
Media	Liquid Chemicals
Media Pressure	A→B : 0.5MPa (MAX)
	B→A : 0.5MPa (MAX)
Media Temperature	10~100°C
Ambient Temperature	10~60°C
Operational Mode	Multi-turn (manual)
Wetted Material	Diaphragm : PTFE
	Valve body : PFA
Note	Position Indicator

\*Specifications are subject to change without notice.

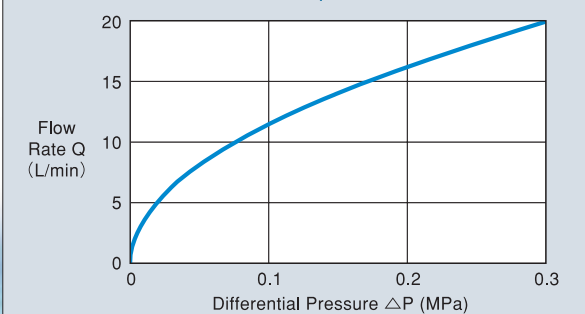
### Product Drawing



Media Pressure / Temperature (A→B/B→A)



Flow Rate / Pressure Drop - Cv: 0.8



Multi-turn operated chemical / slurry valves

# AV2-3M6-8PF



### Ordering Information

## AV2-3M6-8PF

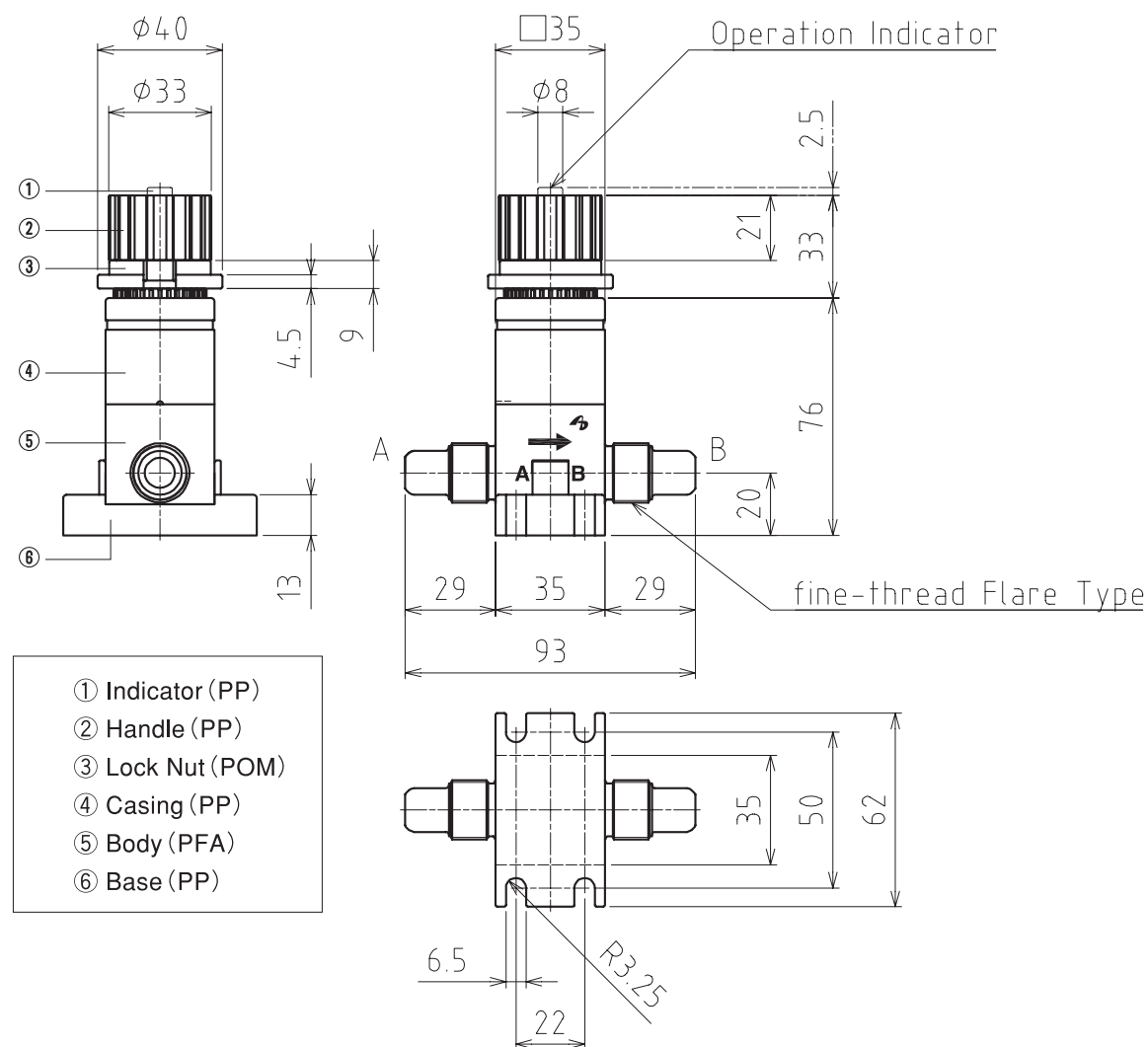
Connection Size    Flare Fitting

### Specifications

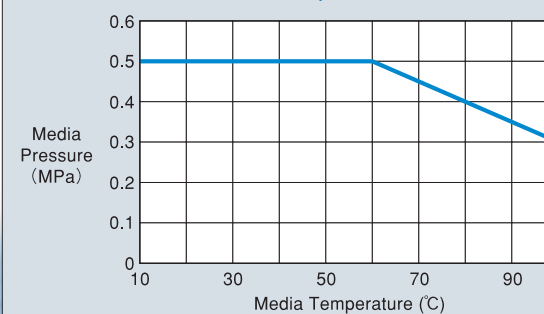
Model Code	AV2-3M6-8PF
Orifice	φ10
Connection Size	9.53×12.7
Media	Liquid Chemicals
Media Pressure	A→B : 0.5MPa (MAX)
	B→A : 0.5MPa (MAX)
Media Temperature	10~100°C
Ambient Temperature	10~60°C
Operational Mode	Multi-turn (manual)
Wetted Material	Diaphragm : PTFE
	Valve body : PFA
Note	Position Indicator

\*Specifications are subject to change without notice.

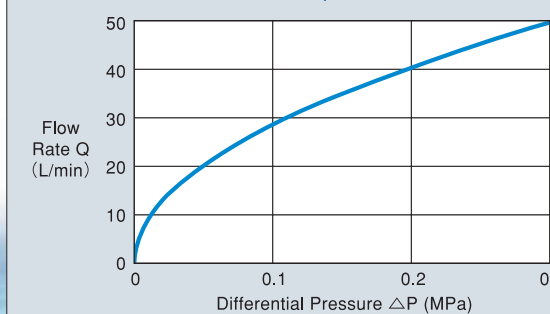
### Product Drawing



Flow Rate / Pressure Drop - Cv: 2.0



Flow Rate / Pressure Drop - Cv: 2.0





Multi-turn operated chemical / slurry valves

# AV2-4M6-12PF



### Ordering Information

## AV2-4M6-12PF

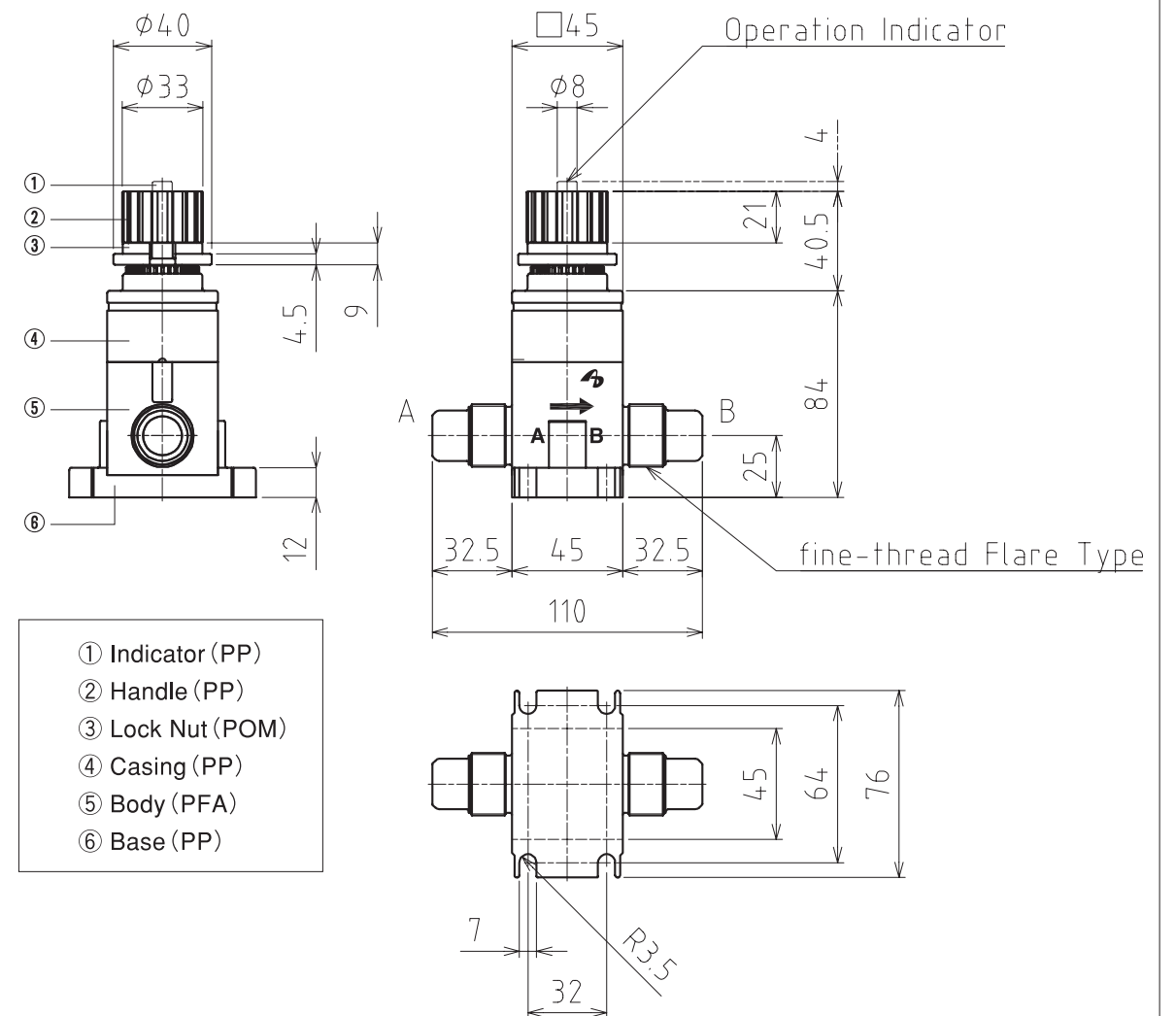
Connection Size Flare Fitting

### Specifications

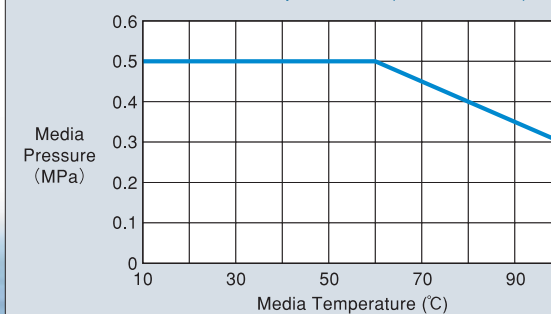
Model Code	AV2-4M6-12PF
Orifice	φ16
Connection Size	15.88×19.05
Media	Liquid Chemicals
Media Pressure	A→B : 0.5MPa (MAX)
	B→A : 0.5MPa (MAX)
Media Temperature	10~100°C
Ambient Temperature	10~60°C
Operational Mode	Multi-turn (manual)
Wetted Material	Diaphragm : PTFE
	Valve body : PFA
Note	Position Indicator

\*Specifications are subject to change without notice.

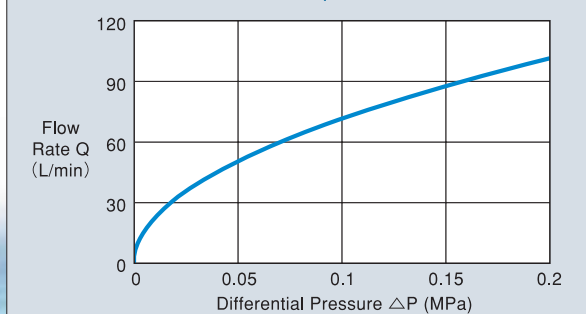
### Product Drawing



### Media Pressure / Temperature (A→B/B→A)



### Flow Rate / Pressure Drop - Cv: 5.0



Multi-turn operated chemical / slurry valves

# AV2-6M6-16PF



### Ordering Information

## AV2-6M6-16PF

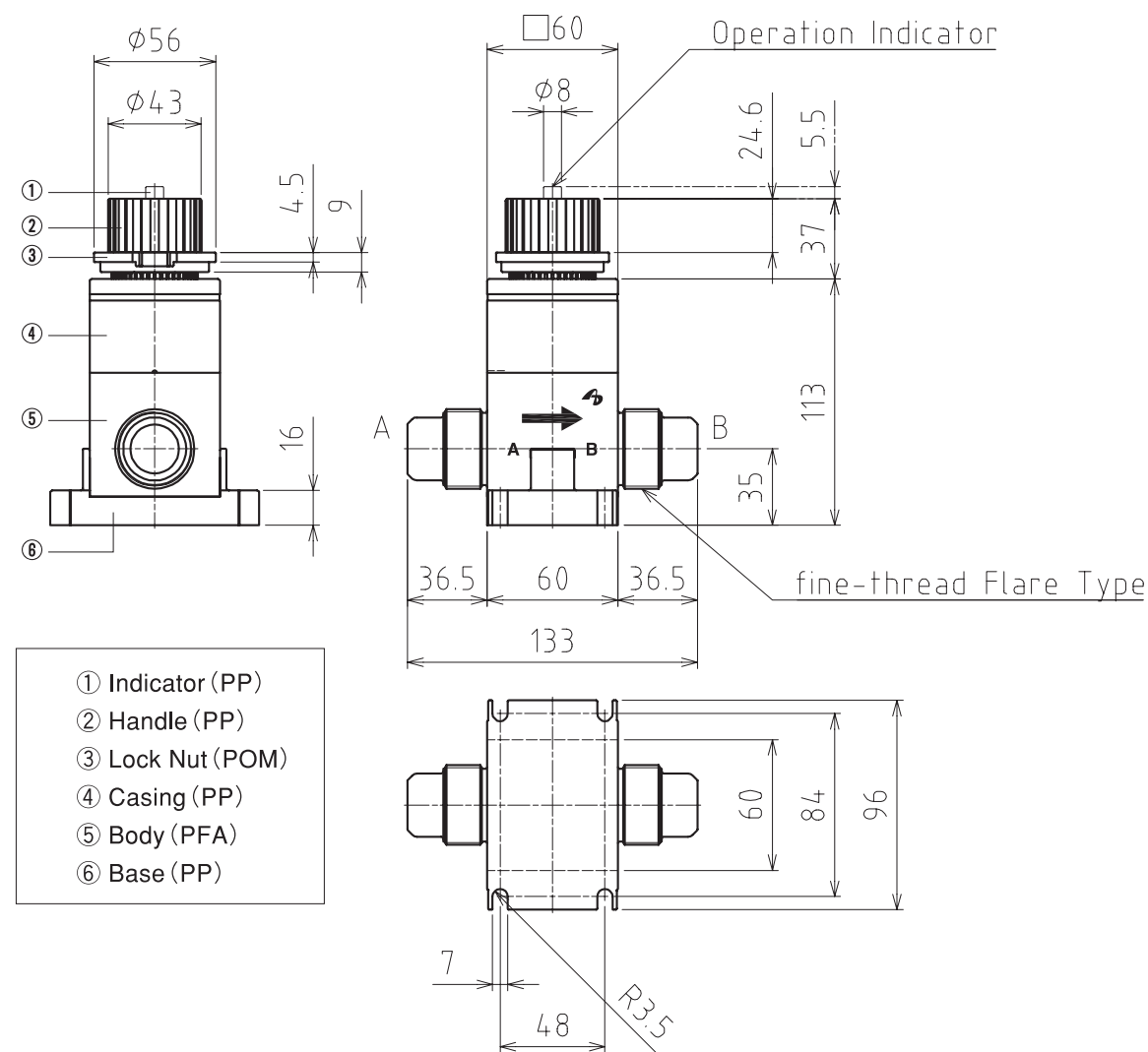
Connection Size    Flare Fitting

### Specifications

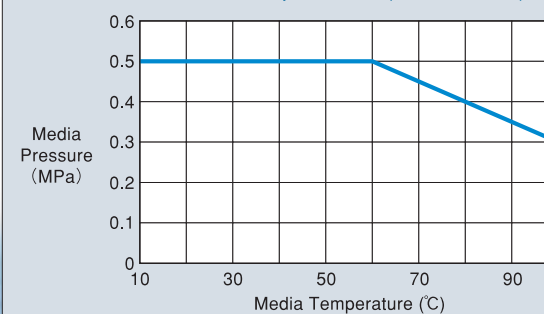
Model Code	AV2-6M6-16PF
Orifice	φ22
Connection Size	22.23×25.4
Media	Liquid Chemicals
Media Pressure	A→B : 0.5MPa (MAX)
	B→A : 0.5MPa (MAX)
Media Temperature	10~100°C
Ambient Temperature	10~60°C
Operational Mode	Multi-turn (manual)
Wetted Material	Diaphragm : PTFE
	Valve body : PFA
Note	Position Indicator

\*Specifications are subject to change without notice.

### Product Drawing



### Media Pressure / Temperature (A→B/B→A)



### Flow Rate / Pressure Drop - Cv: 10.6

